



IMD-A1x1

15"/17"/19" Industrial Monitor

- ✓ Front Panel NEMA 4/IP 65 rated
- ✓ Steel chassis & front panel
- ✓ OSD controls on front side
- ✓ Auto phase / Auto position
- ✓ Optional resistive touch screen



DESCRIPTION

The IMD-A1x1 series industrial monitors with either a 15" XGA (400 cd/m²), a 17" SXGA (300 cd/m²) or a 19" SXGA (300cd/m²) TFT LCD are the perfect fit for monitoring and control applications.

The 'T' version additionally offers a resistive touch screen.

The OSD buttons are situated on the front for easy access.

The front panel of the display monitor is sealed with a gasket for NEMA 4/IP65 rating when it is mounted in a NEMA rated cabinet or enclosure.

FEATURES

- ✓ Color Active TFT Flat Panel Display
- ✓ Optional resistive touch screen or vandal proof SecureTouch touch screen
- ✓ Black steel front panel with NEMA 4/IP 65 rating
- ✓ VGA input (optional DVI/S-Video input)
- ✓ Panel / VESA75 mounting
- ✓ Auto phase / Auto position
- ✓ OSD controls on front
- ✓ 90~240 VAC power input (optionally 12/24 VDC power input)

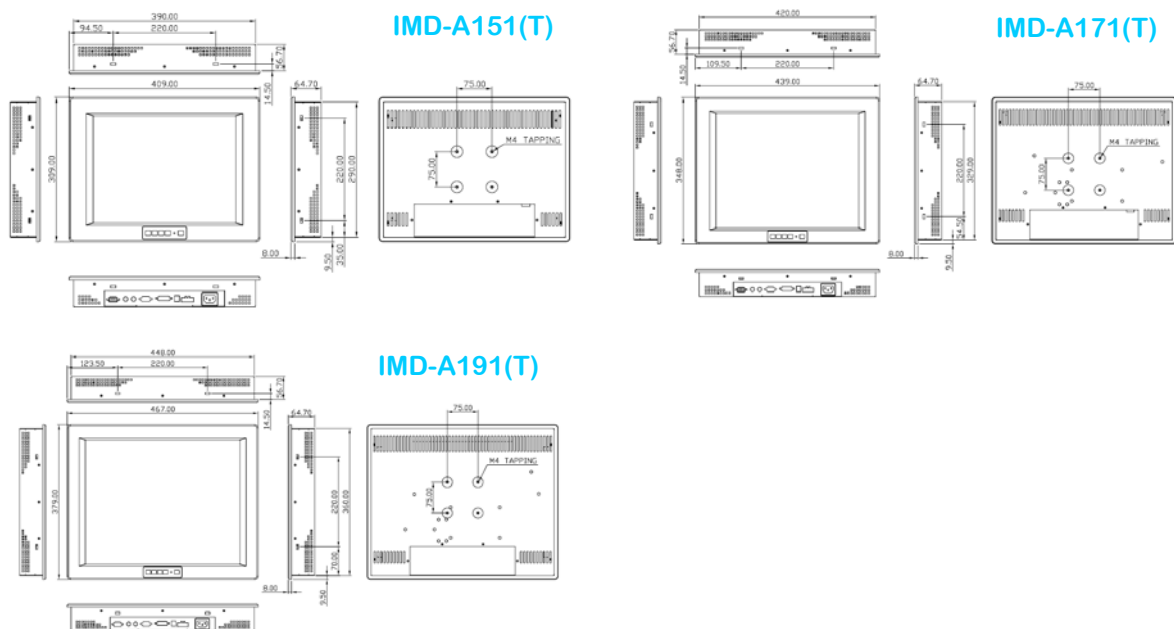
System Specifications

Model:	IMD-A151	IMD-A151T	IMD-A171	IMD-A171T	IMD-A191	IMD-A191T
Display:	15" XGA TFT 1024 x 768 400 cd/m ² 16.2M colors		17" SXGA TFT 1280 x 1024 300 cd/m ² 16.2M colors		19" SXGA TFT 1280 x 1024 300 cd/m ² 16.2M colors	
Viewing Angle:	140° (H), 125° (V)		140° (H), 130° (V)		160° (H), 160° (V)	
Backlight Lifetime:	50,000 hrs					
Touch Screen:	None	Resistive	None	Resistive	None	Resistive
OSD Controls/Indicators:	Automatic Screen, Setup (OSD), Brightness, Contrast, Horizontal/Vertical Position, Image Lock, Color Balance, Video Information, Power On and Sync					
Ports:	VGA	VGA USB	VGA	VGA USB	VGA	VGA USB
Power Input:	90~240 VAC (optionally 12/24 VDC power input)					

Mechanical Specifications

Construction:	Heavy-duty steel chassis, IP-65 certified steel front panel					
Color:	Black					
Mounting:	Panel mount / VESA75 mount					
Operating Temperature:	0~50°C			0~45°C		
Storage Temperature:	-20°C~60°C					
Vibration:	5 - 17Hz, 0.1" double amplitude displacement; 17 - 640Hz, 1.5G acceleration peak to peak					
Shock:	10G acceleration peak to peak (11ms)					
EMC:	FCC/CE Class A certified					
Dimensions (W/H/D):	409 x 309 x 64.7mm		439 x 348 x 64.7mm		467 x 379 x 64.7mm	

Dimensions



Upgrades/Accessories

IMU-AD1VI Upgrade to DVI/S-Video input
IMU-ADDC 12/24VDC power input instead of 90~240VAC

IMU-AxxGFG Upgrade to xx" SecureTouch
IMU-AxxSS Upgrade to xx" stainless steel front

Disclaimer: Published configurations and performance specifications are subject to change without prior notice. While due caution has been exercised in the production of this document, possible errors and omissions are unintentional.