

IMO-A1x0

15"/17"/19" Open Frame Monitor

- ✓ Color Active TFT Flat Panel Display
- ✓ Optional touch screen
- ✓ Steel chassis
- ✓ OSD controls on back side
- ✓ Auto Recognition of Input Signal



DESCRIPTION

Open frame monitors are designed for commercial and industrial applications where the screen goes into a larger unit that already has a bezel or other framing.

Typical applications for open frame monitors are vending machines, kiosks, arcade games, ATM machines, and any number of commercial and military applications.

The IMO-A1x0 open frame monitors come fully assembled and ready to integrate.

The 'T' versions additionally offer a resistive touch screen.

FEATURES

- ✓ Ready to integrate open frame monitor
- ✓ Color Active TFT Flat Panel Display
- ✓ Optional resistive touch screen or vandal proof SecureTouch touch screen
- ✓ Steel chassis
- ✓ VGA input (optional DVI/S-Video input)
- ✓ OSD controls on back side
- ✓ 12VDC power input*

* Optional 11~28VDC power input

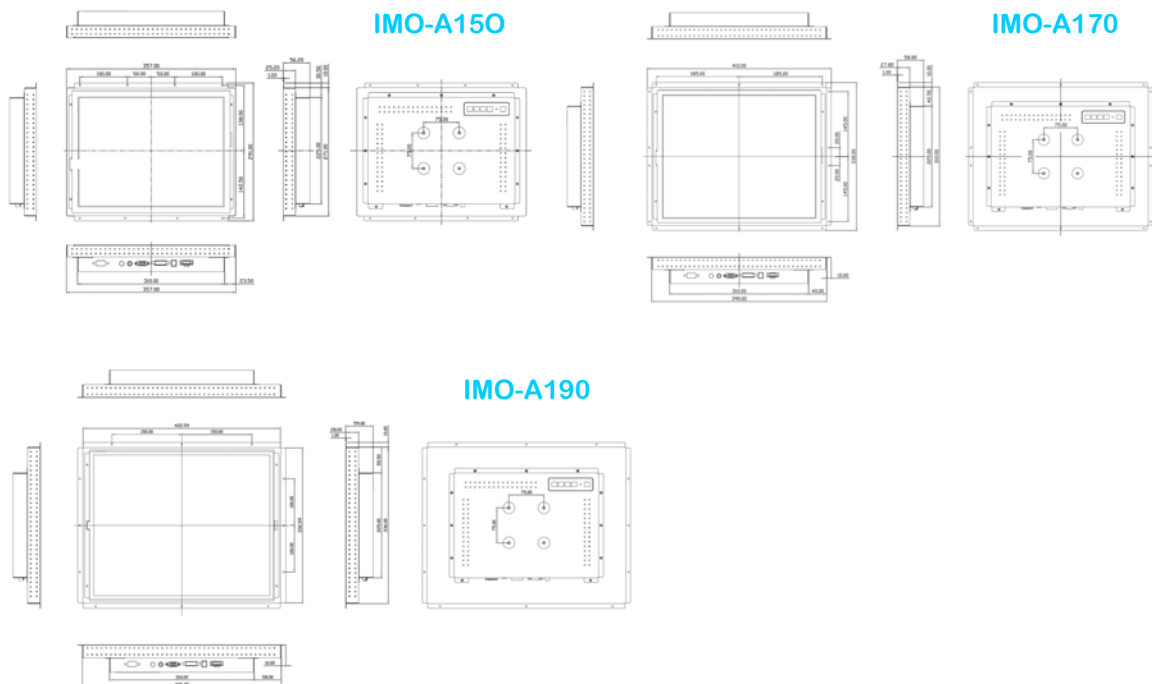
System Specifications

Model:	IMO-A150	IMO-A150T	IMO-A170	IMO-A170T	IMO-A190	IMO-A190T
Display:	15" XGA TFT 1024 x 768 450 cd/m ² 262K colors		17" SXGA TFT 1280 x 1024 300 cd/m ² 262K colors		19" SXGA TFT 1280 x 1024 300 cd/m ² 262K colors	
Viewing Angle:	140° (H), 125° (V)		140° (H), 130° (V)		160° (H), 160° (V)	
Backlight Lifetime:	50,000 hrs					
Touch Screen:	None	Resistive	None	Resistive	None	Resistive
OSD Controls/Indicators:	Automatic Screen, Setup (OSD), Brightness, Contrast, Horizontal/Vertical Position, Image Lock, Color Balance, Video Information, Power On and Sync					
Ports:	VGA	VGA/USB	VGA	VGA/USB	VGA	VGA/USB
Power Input:	12 VDC (optional 11-28 VDC)					

Mechanical Specifications

Construction:	Heavy-duty steel chassis		
Operating Temperature:	0-50°C		
Storage Temperature:	-20°C-60°C		
Vibration:	5 - 17Hz, 0.1" double amplitude displacement; 17 - 640Hz, 1.5G acceleration peak to peak		
Shock:	10G acceleration peak to peak (11ms)		
EMC:	FCC/CE Class A certified		
Dimensions (W/H/D):	357 x 291 x 56.2mm	410 x 330 x 58.8mm	423 x 333 x 59mm

Dimensions



Upgrades/Accessories

IMU-AO1V1 Upgrade DVI/S-Video input

IMU-AODC Upgrade to 11-32VDC input

Disclaimer: Published configurations and performance specifications are subject to change without prior notice. While due caution has been exercised in the production of this document, possible errors and omissions are unintentional.