

IMR-P2U31/41

2U Rackmount Server



- Industrial ATX motherboard
- Intel® Core 2 Duo™ or Core 2 Quad™ processor
- Up to 500GB SATA300 hard disk
- DVD±R/W drive
- 2 PCI Expansion slots



Description

The IMR-P2U31 and IMR-P2U41 rackmount servers offer, with their 2U height, the optimal compromise between small size and ample space for expansion boards.

The systems are built from high quality materials, designed for continuous operation.

They are not only ideal systems for SCADA (Supervisory Control And Data Acquisition) applications but also for use as a print server, web server, mail server or file server.

Features

- ✓ Heavy duty steel chassis
- ✓ Portwell® Industrial ATX motherboard
- ✓ Intel® Core 2 Duo™ 2.8 Ghz or Core 2 Quad™ 2.5 Ghz processor
- ✓ Up to 2GB DDR2-800 RAM (4GB max. Capacity)
- ✓ Intel® 5th generation GMA 4500 graphics
- ✓ HD audio interface, Gigabit LAN, USB, RS-232/422/485
- ✓ 2 PCI Expansion slots
- ✓ 90~264 VAC / 350W power supply



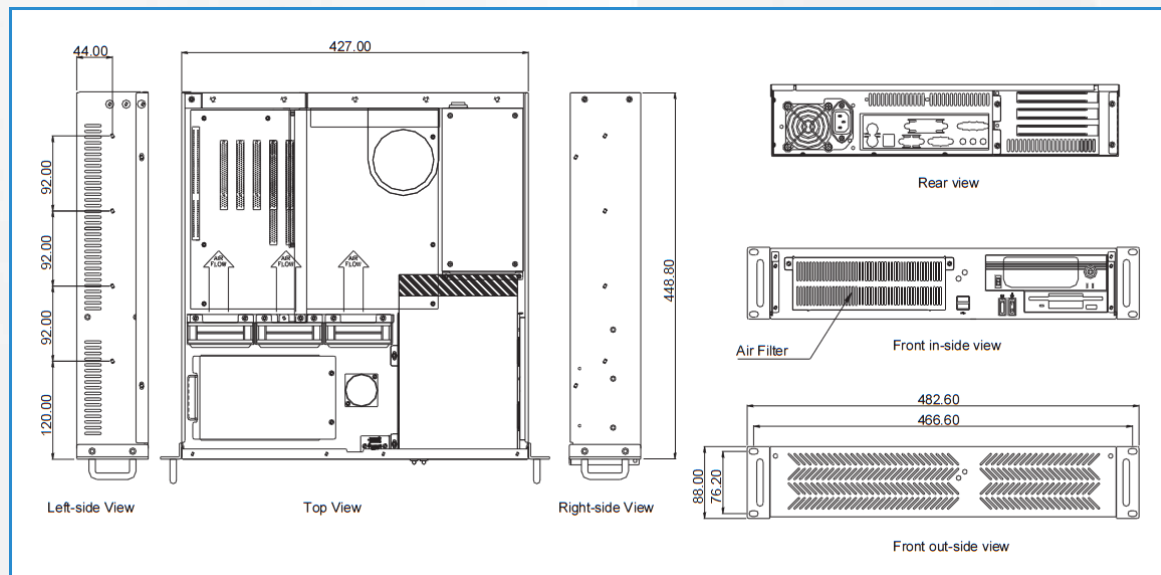
System Specifications

Model	IMR-P2U31	IMR-P2U41
Processor Board	Portwell® RUBY-9719VG2AR Industrial motherboard	
CPU Type/Speed	Core 2 Duo™ 2.8 GHz	Core 2 Quad™ 2.5 GHz
Memory	1 GB DDR2-800 RAM (max. 4 GB)	2 GB DDR2-800 RAM (max. 4 GB)
Chipset	Intel® G41 and ICH7R	
Ports	2 x Gigabit LAN, 4 x USB 2.0, 2 x RS-232, 1 x RS-232/422/485, 1 x Parallel, VGA, Audio, keyboard/mouse	
VGA	Integrated Intel® 5 th generation GMA 4500 graphics	
Drives	250 GB SATA300 Industrial HD, DVD±R/W drive	500 GB SATA300 Industrial HD, DVD±R/W drive
Expansion slots	2 Conventional PCI bus connectors	
Power input	90 ~ 264 VAC / 350W	

Mechanical Specifications

Construction	Heavy-duty steel housing
Color	Black
Mounting	Rack mount
Operating Temperature	0 ~ 50°C
Storage Temperature	-20 ~ 60°C
Vibration	5 - 17Hz, 0.1" double amplitude displacement; 17 - 640Hz, 1.5G acceleration peak to peak
Shock	10G acceleration peak to peak (11ms)
Dimensions (w x d x h)	483 x 450 x 88 mm

Dimensions



Disclaimer: Published configurations and performance specifications are subject to change without prior notice. While due caution has been exercised in the production of this document, possible errors and omissions are unintentional.

Last Updated: 19-Apr-2012



INDUMICRO.com

Tel: +31(0)318 668912

sales@indumicro.com | www.indumicro.com